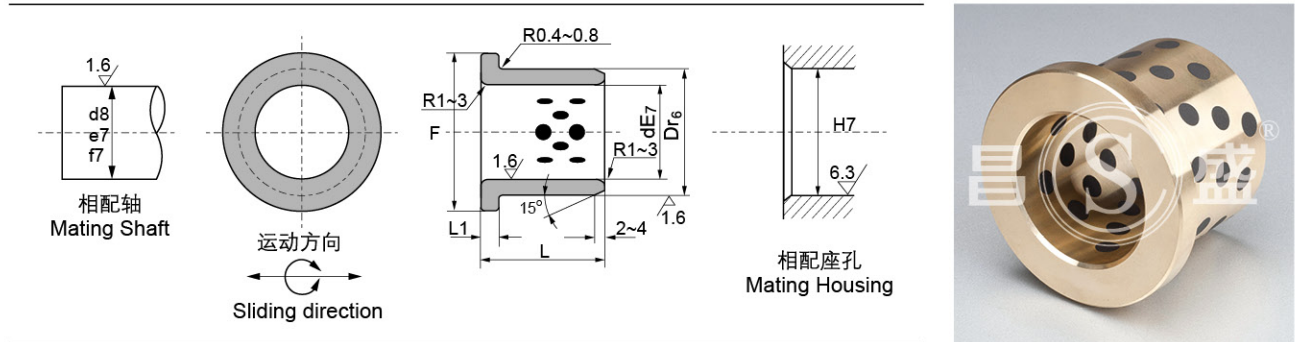


500# 自润滑翻边轴承标准公制尺寸

500# Self-lubricating Flange Bearing Standard Metric Size



单位Unit: mm

d	D	d E ₇		D r ₆		F	L ₁	L ^{-0.10} _{-0.30}												
								15	20	25	30	35	40	50	60	80	100			
10	14	10	+0.040 +0.025	14	+0.034 +0.023	22	2	1015	1020											
12	18	12	+0.050 +0.032	18	+0.041 +0.028	25	3	1215	1220											
13	19	13		19		26		1315	1320											
14	20	14		20		27		1415	1420	1425										
15	21	15		21		28		1515	1520	1525	1530									
16	22	16		22		29		1615	1620	1625	1630									
20	30	20		+0.061 +0.040		30		+0.050 +0.034	40	5		2020	2025	2030	2035					
25	35	25	35		45		2520		2525		2530	2535	2540							
30	40	30	40		50	3020	3025		3030		3035	3040	3050							
35	45	35	45		60		3525		3530		3535	3540	3550							
40	50	40	50		65				4030		4035	4040	4050							
45	55	45	55		70				4530		4535	4540	4550	4560						
50	60	50	60		75	+0.060 +0.041					5035	5040	5050	5060						
55	65	55	65		80							5540	5550	5560						
60	75	60	75		90	+0.062 +0.043						6040	6050	6060	6080					
70	85	70	+0.090 +0.060		85	+0.073 +0.051	105		7.5						7050	7060	7080			
75	90	75		90	110								7550	7560	7580	75100				
80	100	80		100	120										8060	8080	80100			
90	110	90		110	130		+0.076 +0.054	10								9060	9080	90100		
100	120	100	120	150										10060	10080	100100				
120	140	120	140	170	+0.088 +0.063									12060	12080	120100				